

Схема передней панели MJ-3031M

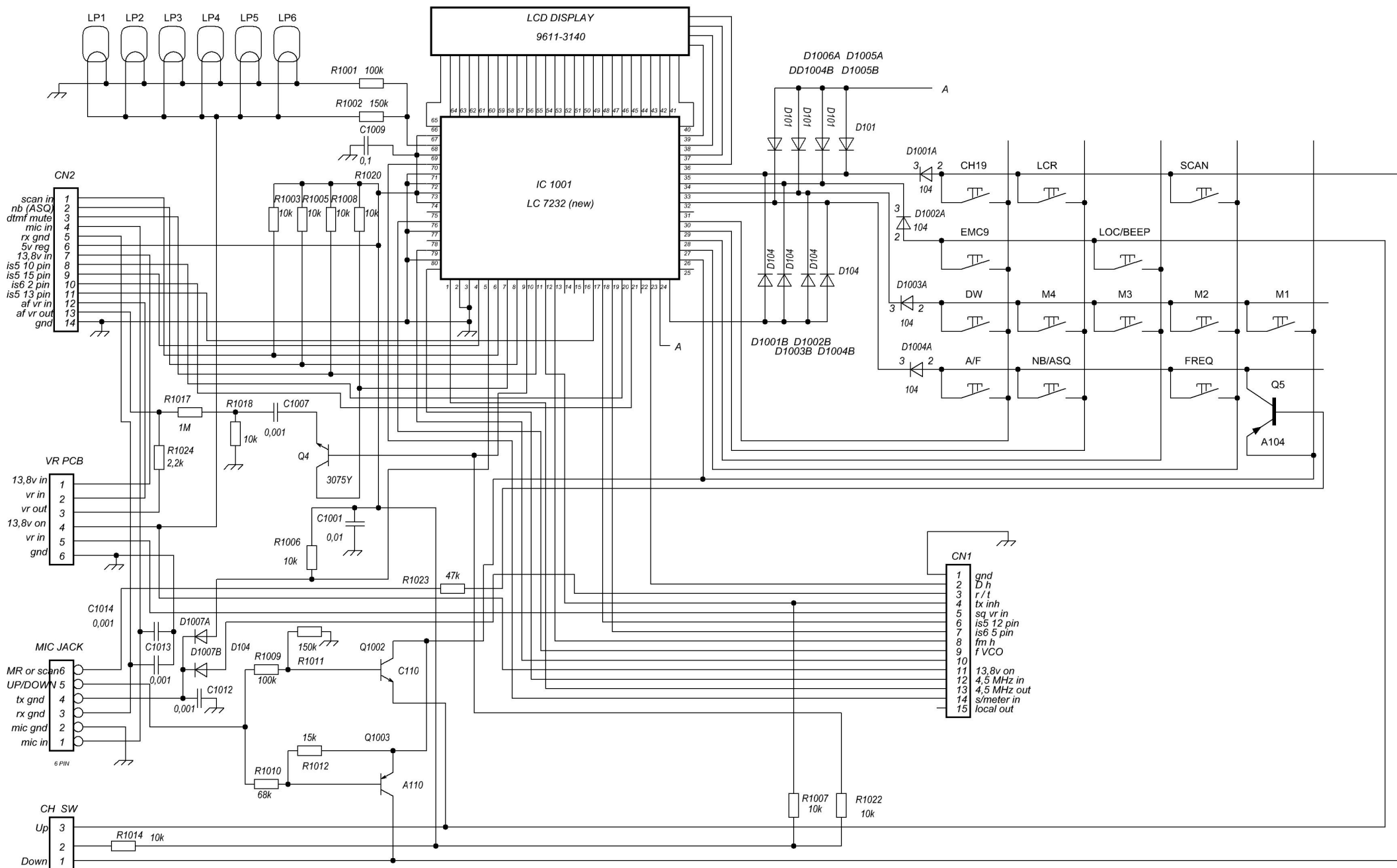
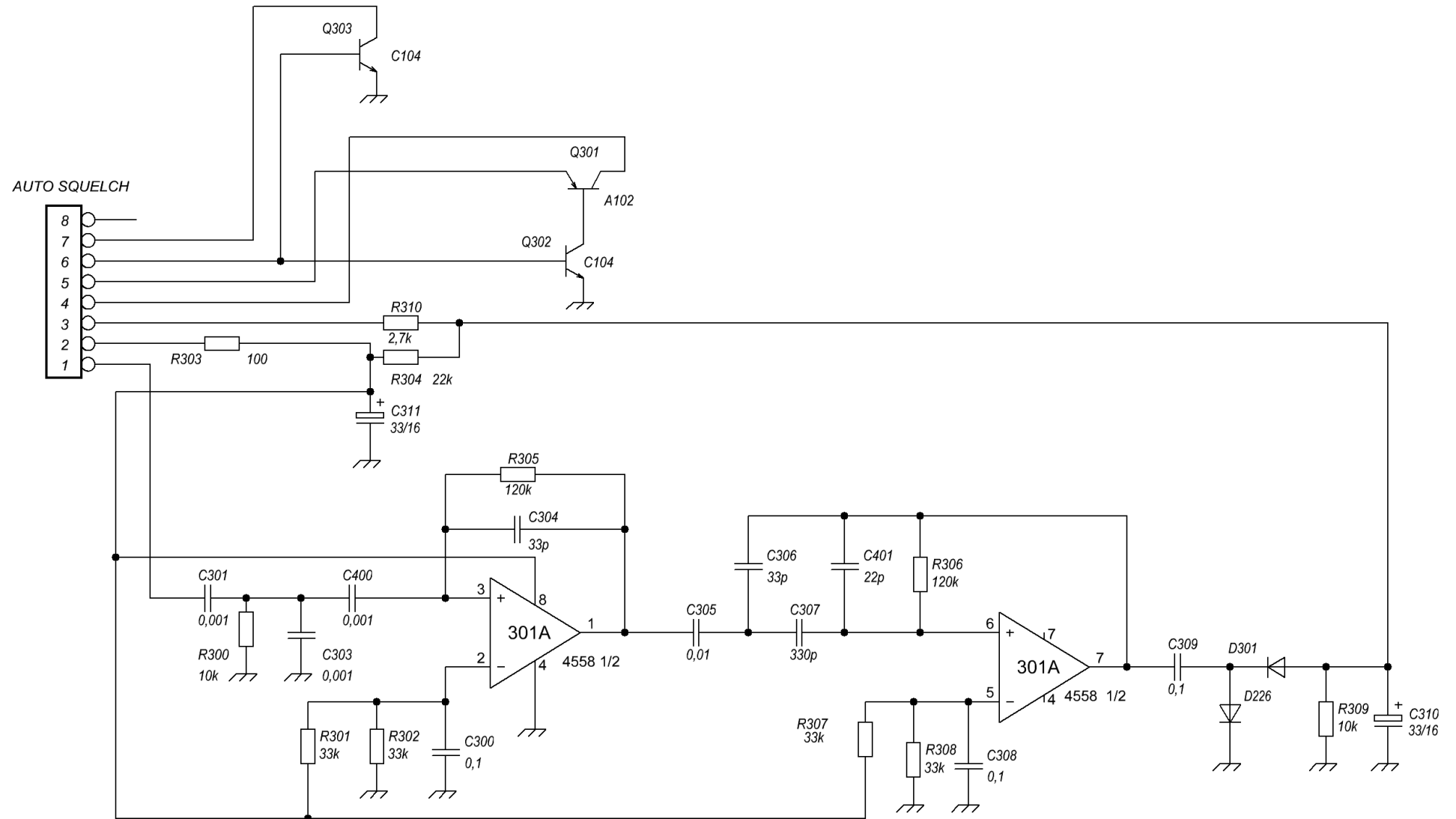
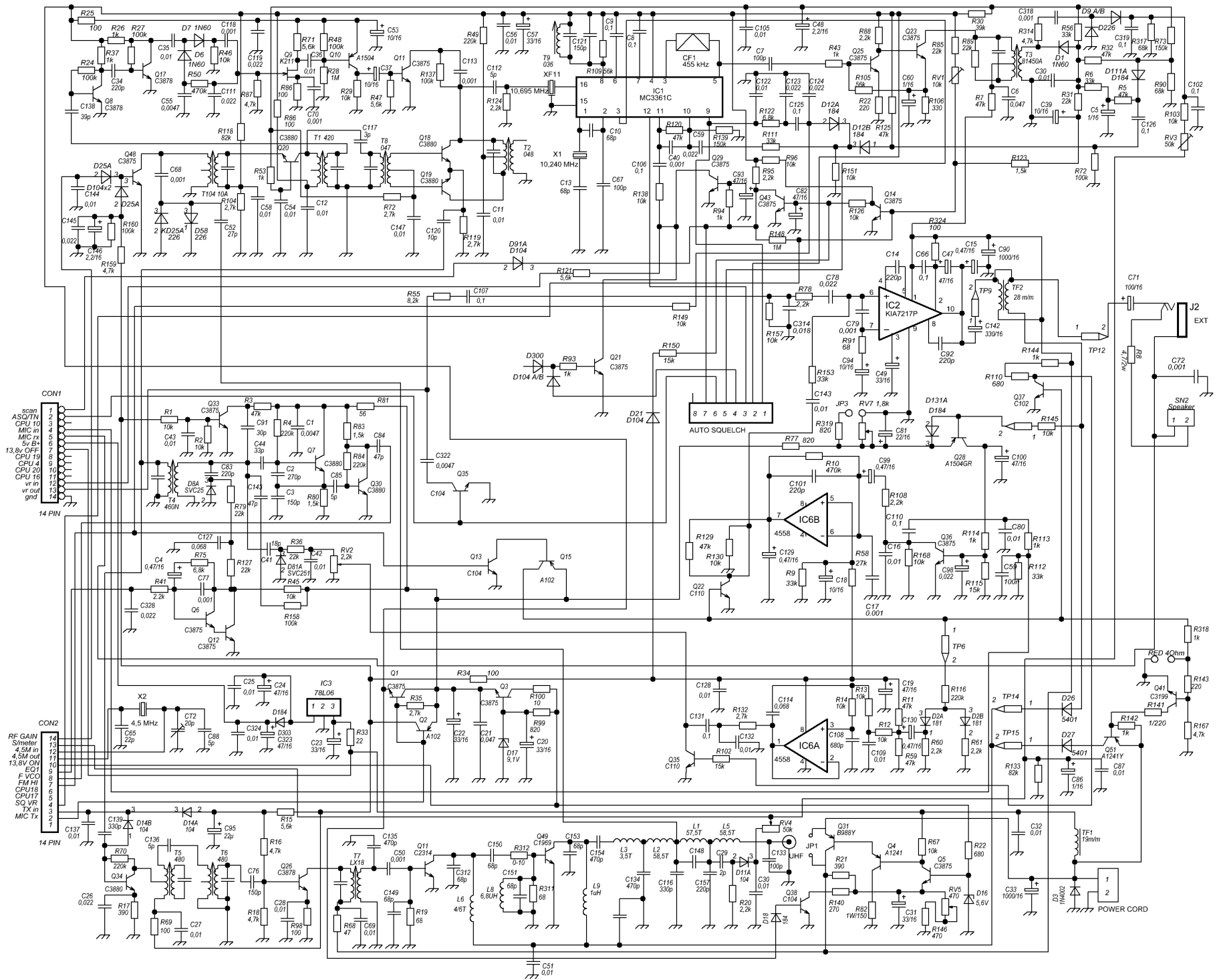


Схема автоматического шумоподавителя (ASQ) MJ3031M





CON1
1 scan
2 ASC/TN
3 CPU 10
4 MIC in
5 MIC rx
6 5V B+
7 CPU 19
8 CPU 4
9 CPU 20
10 CPU 16
11 vr in
12 vr out
13
14 gnd
14 PIN

CON2
14 RF GAIN
13 S/meter
12 4.5M in
11 4.5M out
10 13.8V ON
9 EO1
8 F.VCO
7 FM HI
6 CPU16
5 CPU17
4 SQ VR
3 TX in
2 MIC Tx
1
14 PIN

POWER CORD

AUTO SQUELCH

J2 EXT

RED 40hm

S1

TP15

TP14

TP6

TP12

TP9

TP8

TP7

TP5

TP4

TP3

TP2

TP1

TP10

TP11

TP13

TP14

TP15

TP16

TP17

TP18

TP19

TP20

TP21

TP22

TP23

TP24

TP25

TP26

TP27

TP28

TP29

TP30

TP31

TP32

TP33

TP34

TP35

TP36

TP37

TP38

TP39

TP40

TP41

TP42

TP43

TP44