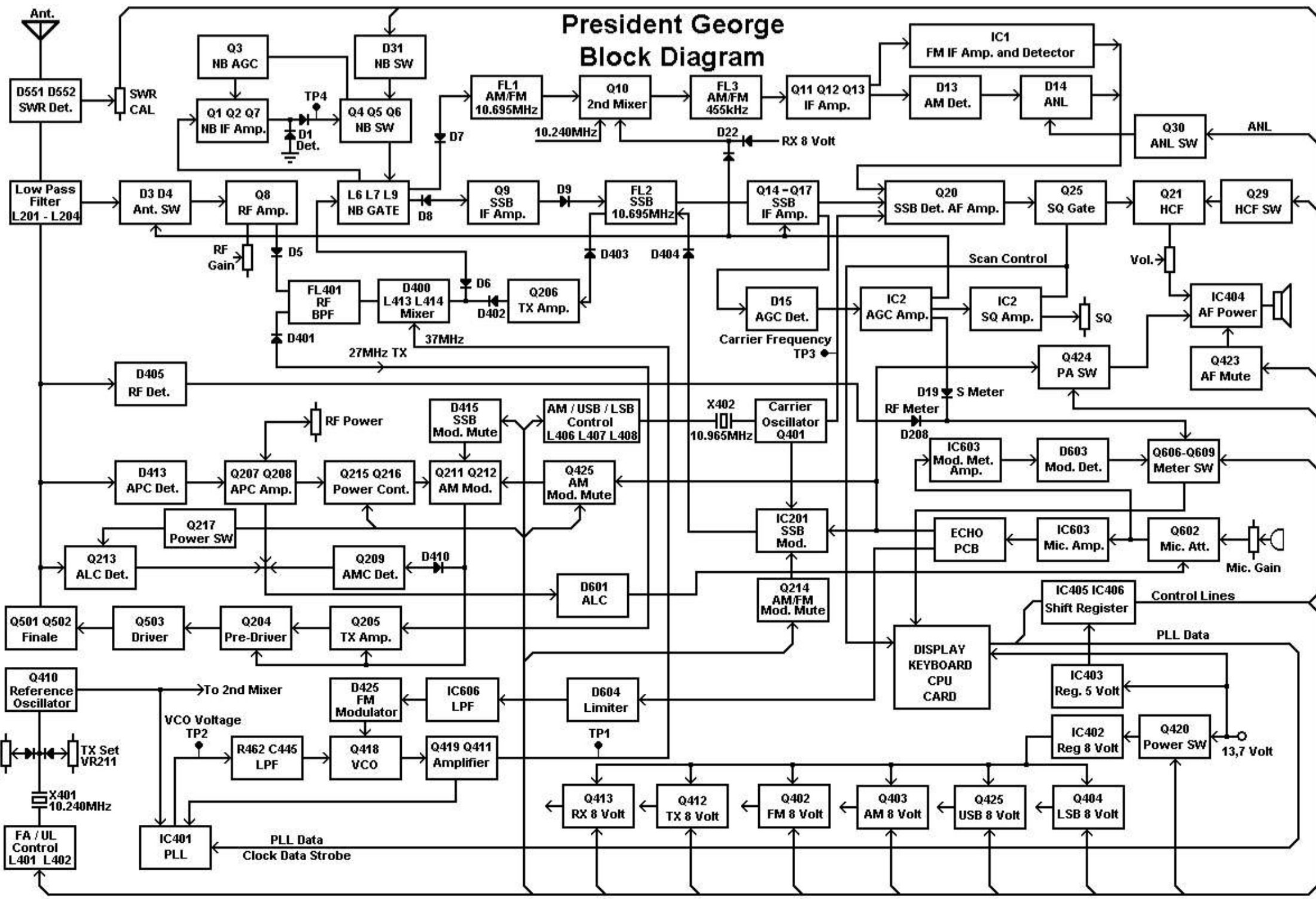
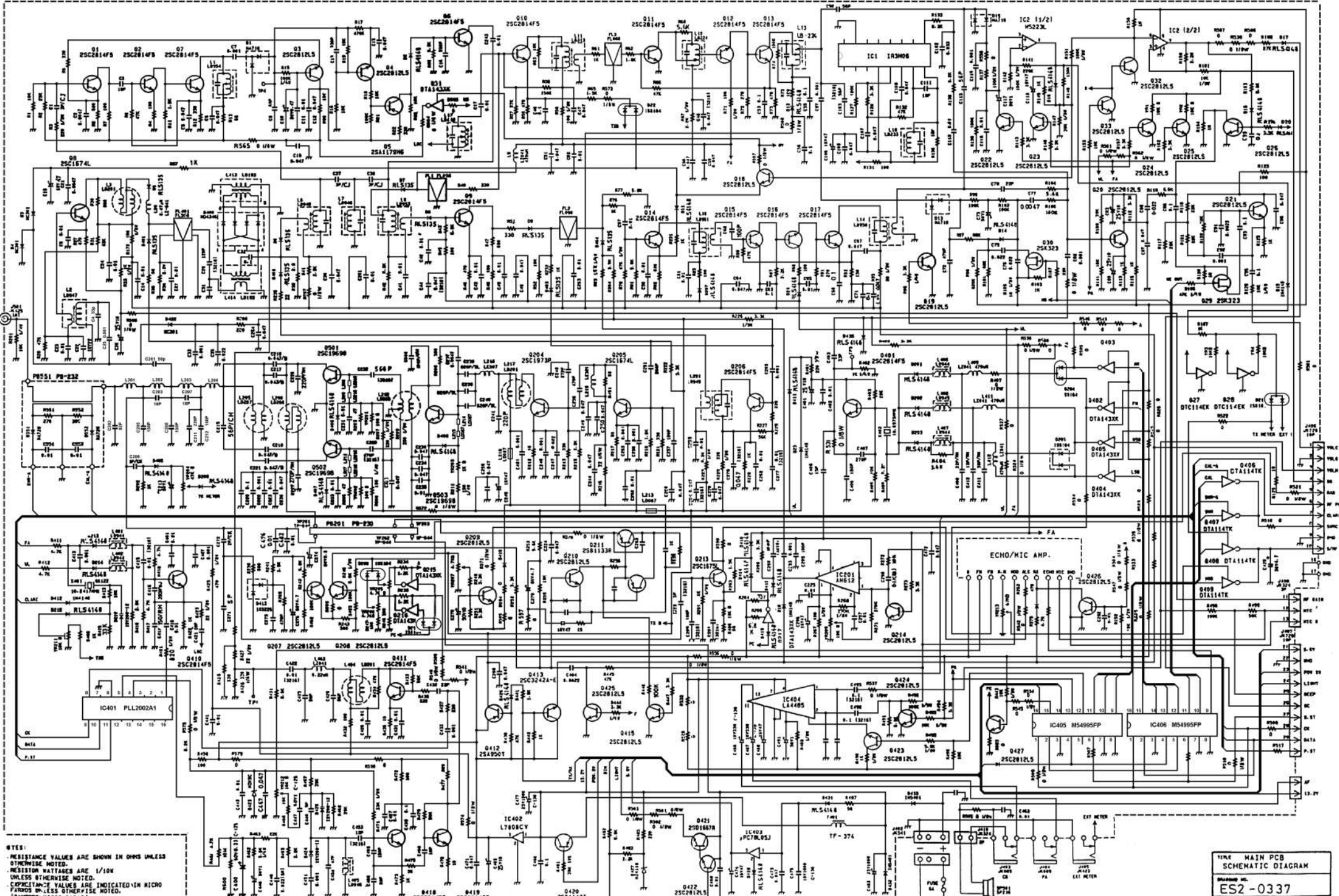


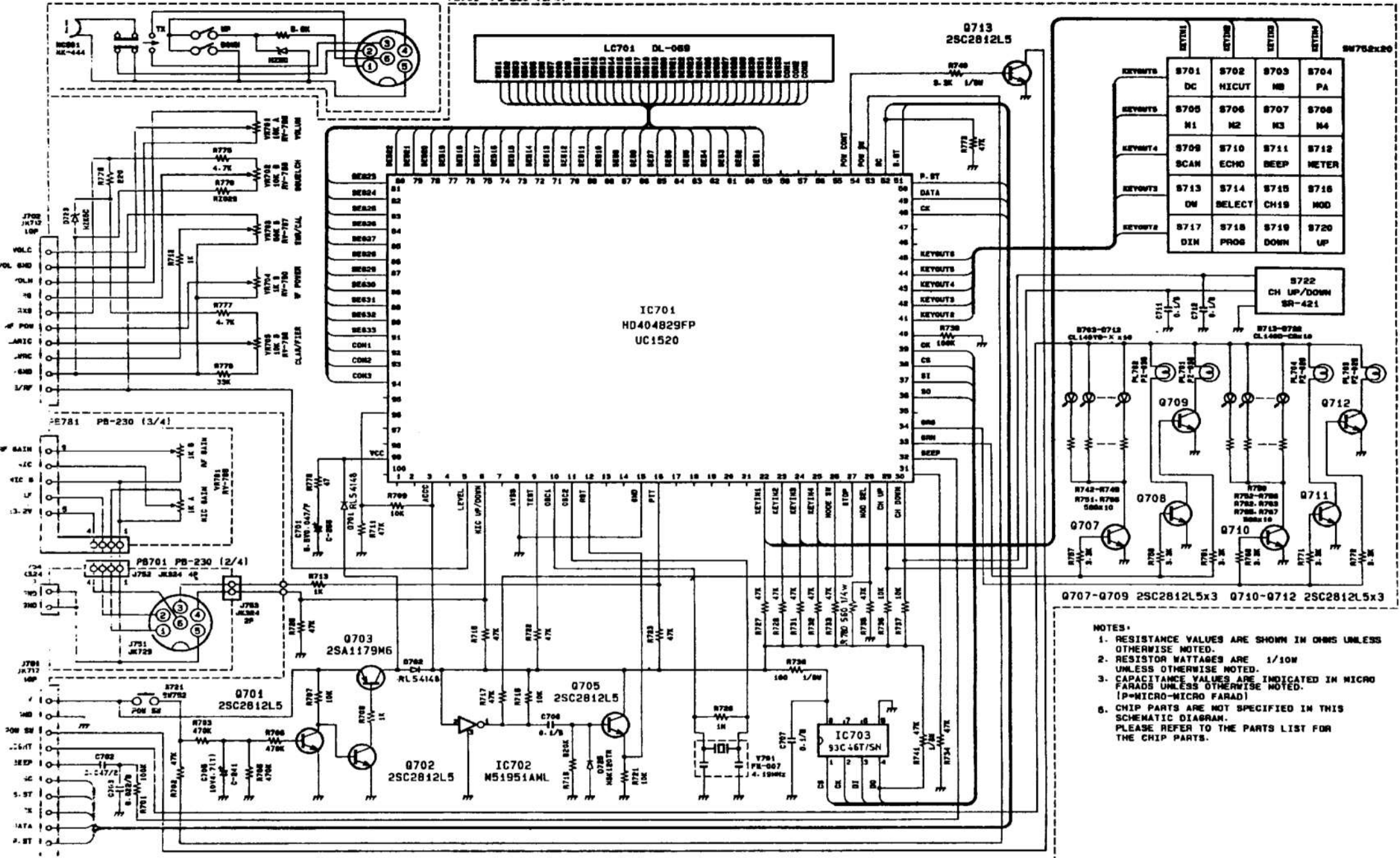
President George Block Diagram



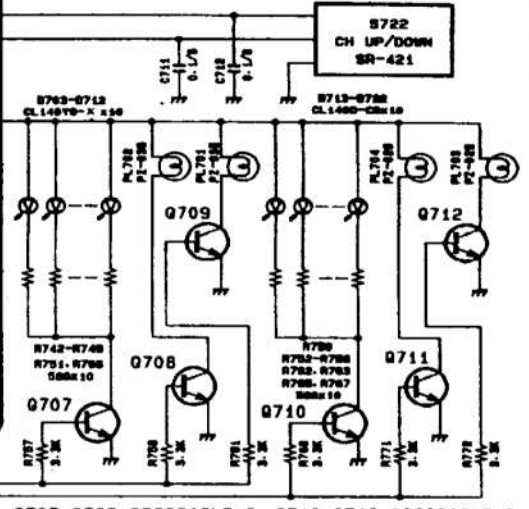


*RESISTANCE VALUES ARE SHOWN IN OHMS UNLESS OTHERWISE NOTED.
 *RESISTOR WATTAGES ARE 1/10W UNLESS OTHERWISE NOTED.
 *CAPACITANCE VALUES ARE INDICATED IN MICRO FARADS UNLESS OTHERWISE NOTED.
 *IF MICRO-MICRO FARADS
 ALL CAPACITORS TEMPERATURE CHARACTERISTICS ARE C0 (LESS THAN 1000 PF) OR B (MORE THAN 1000 PF) UNLESS OTHERWISE NOTED

TITLE MAIN PCB
 SCHEMATIC DIAGRAM
 DRAWING NO. ES2-0337

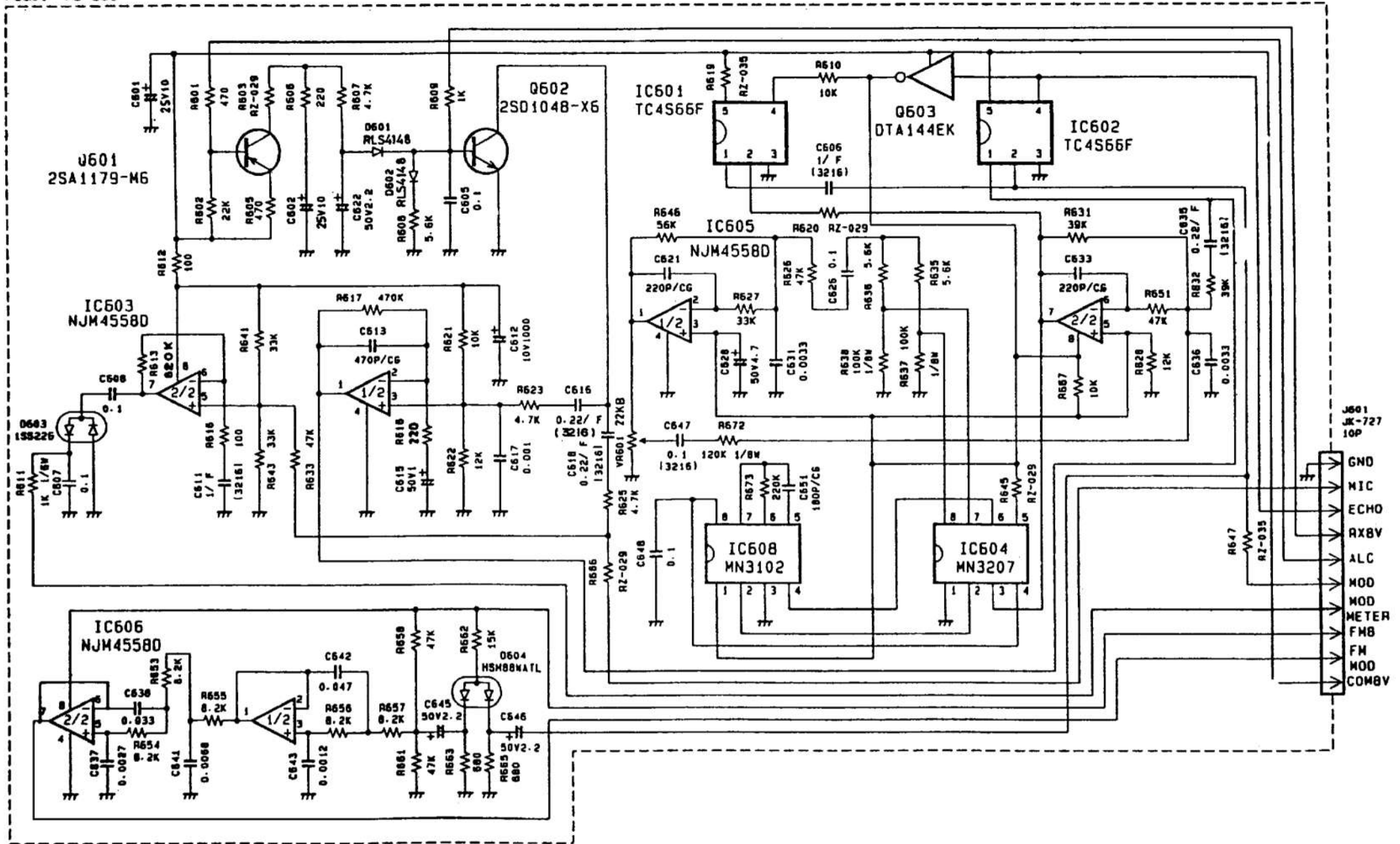


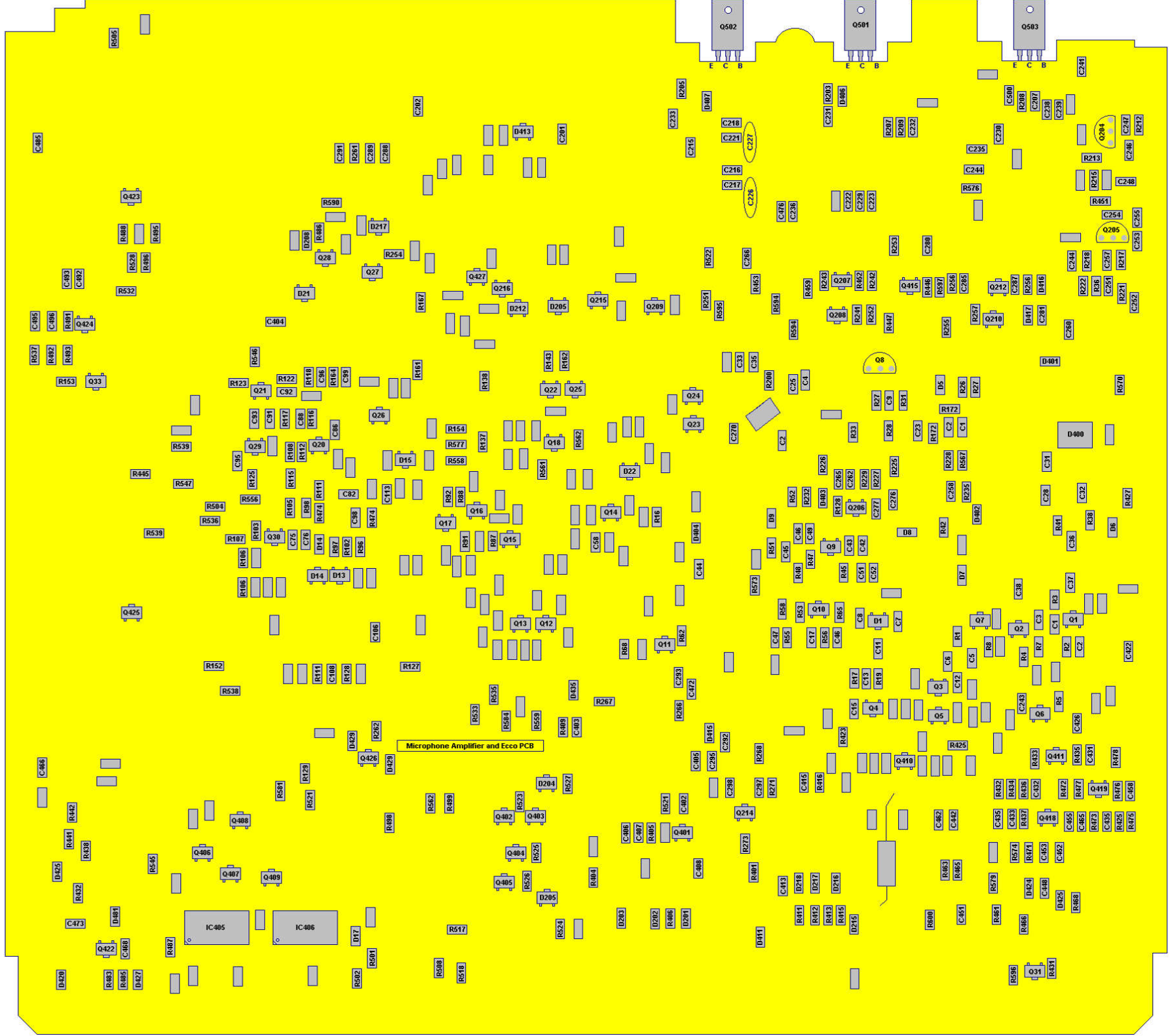
	KEYIN1	KEYIN2	KEYIN3	KEYIN4
KEYOUT5	S701 DC	S702 HICUT	S703 MB	S704 PA
KEYOUT5	S705 M1	S706 M2	S707 M3	S708 M4
KEYOUT4	S709 SCAN	S710 ECHO	S711 BEEP	S712 METER
KEYOUT3	S713 ON	S714 SELECT	S715 CH19	S716 MOD
KEYOUT2	S717 DIN	S718 PROG	S719 DOWN	S720 UP



Q707-Q709 25C2812L5x3 Q710-Q712 25C2812L5x3

- NOTES:
1. RESISTANCE VALUES ARE SHOWN IN OHMS UNLESS OTHERWISE NOTED.
 2. RESISTOR RATINGS ARE 1/10W UNLESS OTHERWISE NOTED.
 3. CAPACITANCE VALUES ARE INDICATED IN MICRO FARADS UNLESS OTHERWISE NOTED. (P=MICRO-MICRO FARAD)
 4. CHIP PARTS ARE NOT SPECIFIED IN THIS SCHEMATIC DIAGRAM. PLEASE REFER TO THE PARTS LIST FOR THE CHIP PARTS.

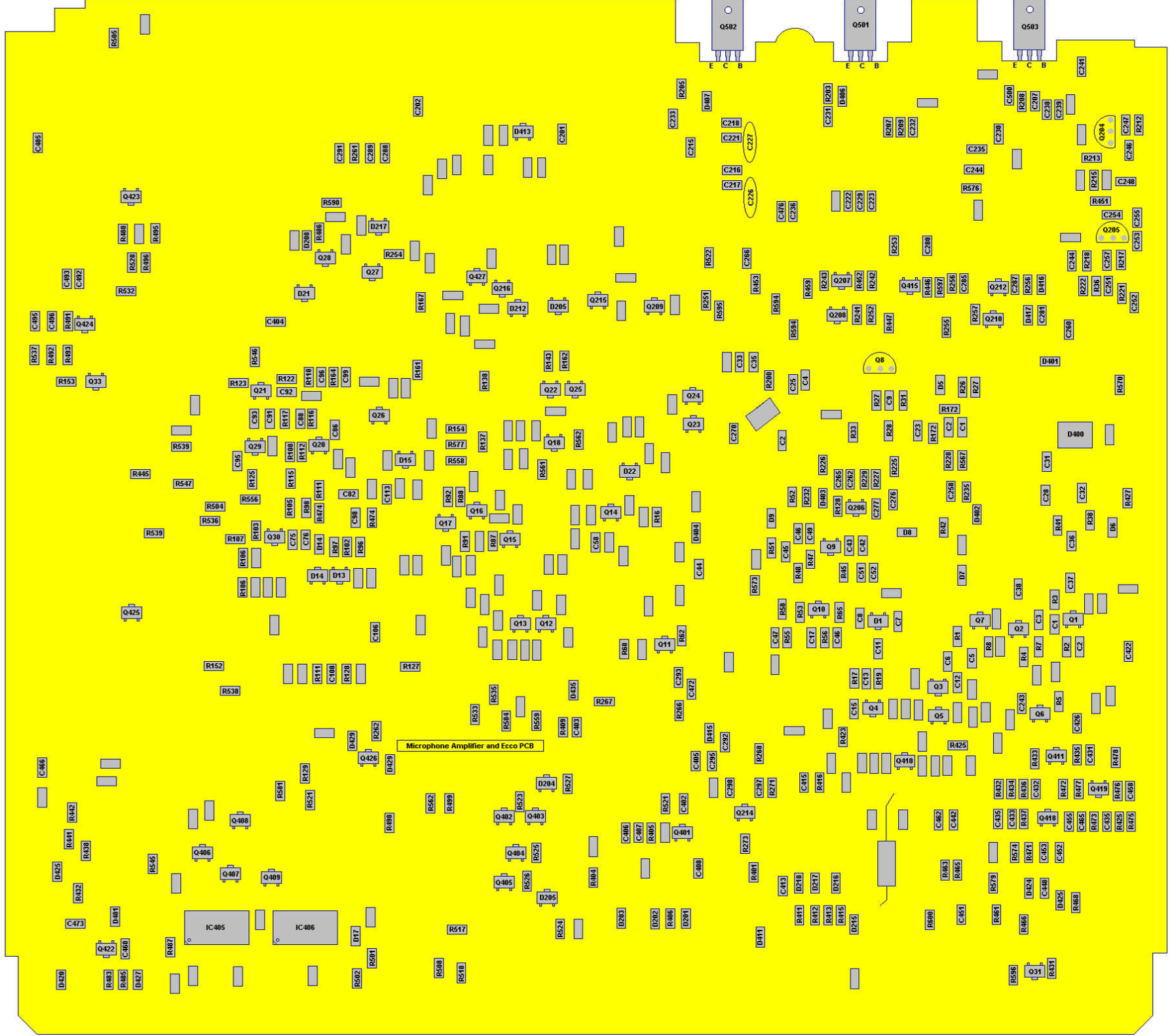




Microphone Amplifier and Ecco PCB

IC405

IC406



Microphone Amplifier and Ecco PCB

IC405

IC406

