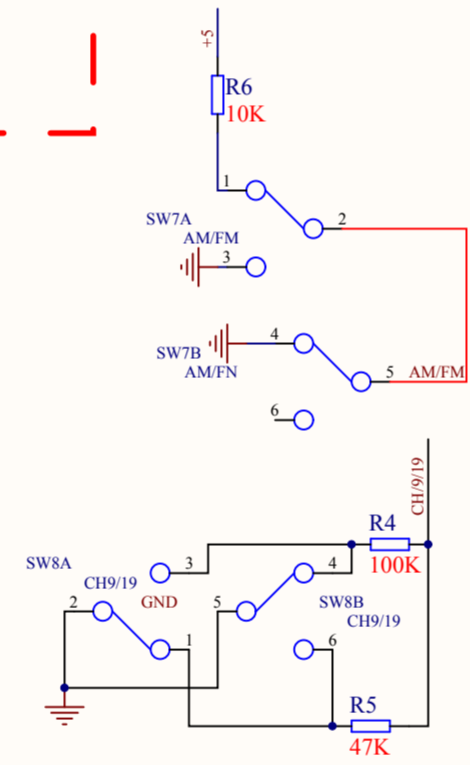
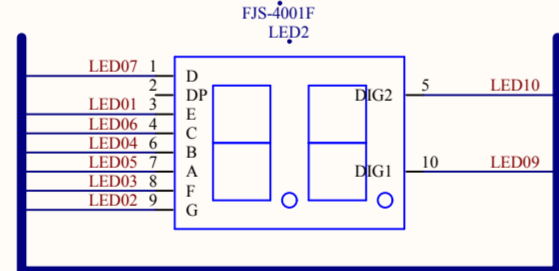
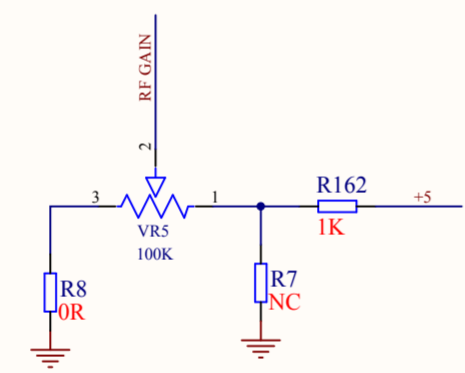
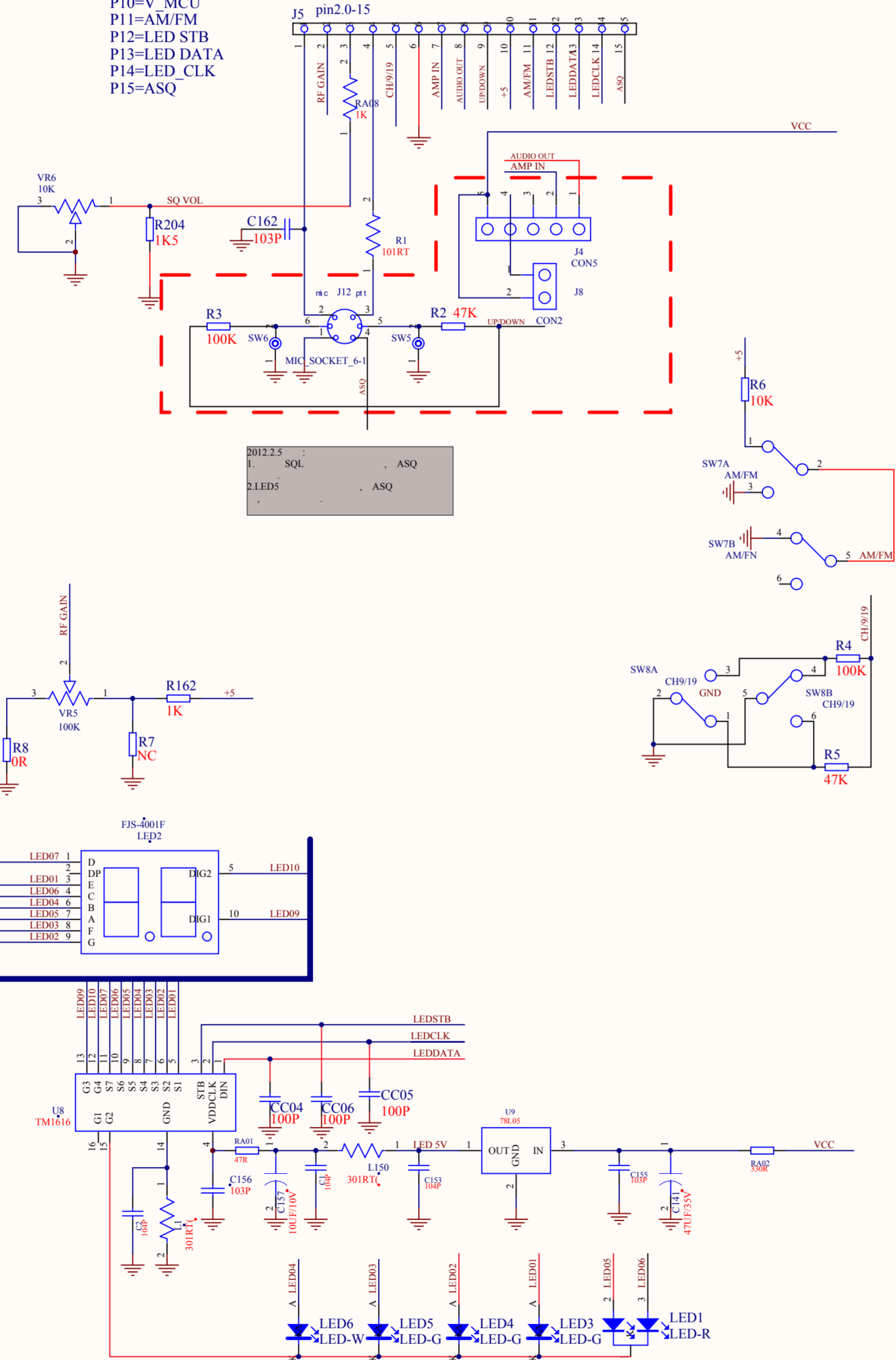
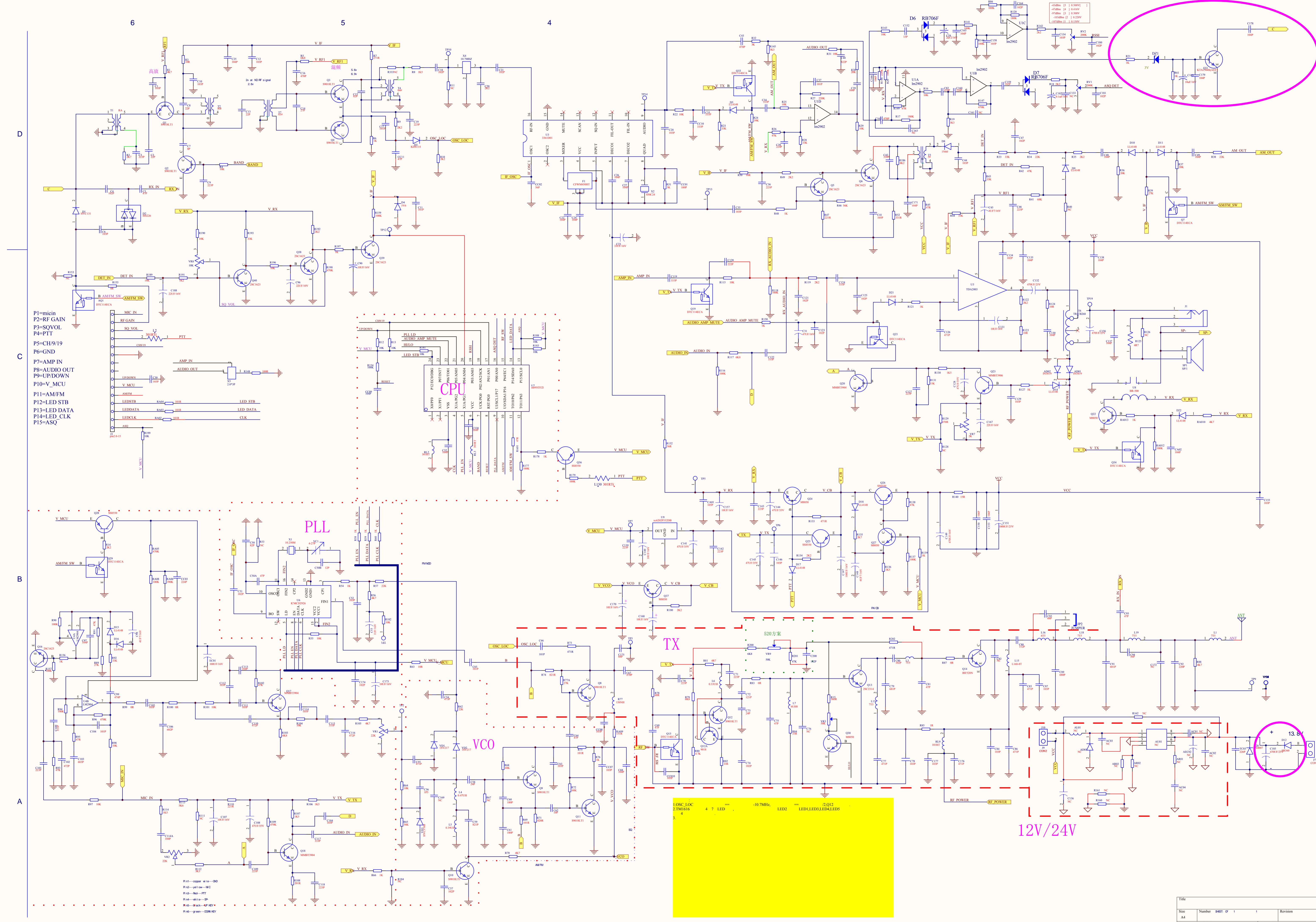


REVISON RECORD			
LTR	ED NO	APPROVED	DATE

P1=micin
 P2=RF GAIN
 P3=SQVOL
 P4=PTT
 P5=CH/9/19
 P6=GND
 P7=AMP IN
 P8=AUDIO OUT
 P9=UP/DOWN
 P10=V_MCU
 P11=AM/FM
 P12=LED STB
 P13=LED DATA
 P14=LED_CLK
 P15=ASQ



DRAWN		DATE		COMPANY		TITLE	
HH		2010.11.24		NINOVE ELECTRONICS		SO DETECTION	
DESIGNED	DATE	CDE	SZE	DRAWING NO	REV	Title	
QUALITY CONTROL	DATE				01	Scale	
RELEASED	DATE					Sheet of 2	
						Date: 2013-10-30	
						File: E:_3600278402000521\131030\131030.DOC	



- P1=micin
- P2=RF GAIN
- P3=SQVOL
- P4=PTT
- P5=CH/9/19
- P6=GND
- P7=AMP IN
- P8=AUDIO OUT
- P9=UP/DOWN
- P10=V_MCU
- P11=AM/FM
- P12=LED STB
- P13=LED DATA
- P14=LED CLK
- P15=ASQ

Pltr--copper wire--GD
 Plrb--yellow--MC
 Plrb--red--PTT
 Plrb--blue--GB
 Plrb--green--RF AGC
 Plrb--purple--OSC LOC

OSC LOC
 2.1M616
 4.7 LED
 -10.7MHz
 11D2
 0.012
 LED1LED2LED4LED5

12V/24V

13.8V

File			
Size	Number	Sheet	Revision
A4	1	1	1
Date:	2013-10-30	Sheet	of
File:	E:_3600278410004_S1_0000	Sheet	of